

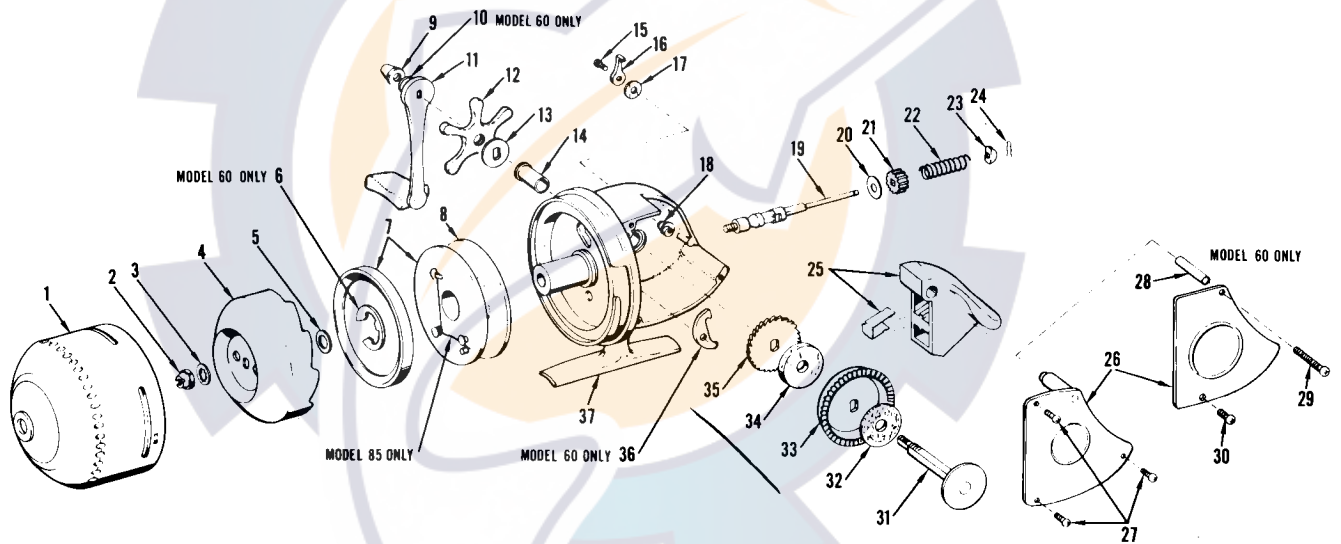
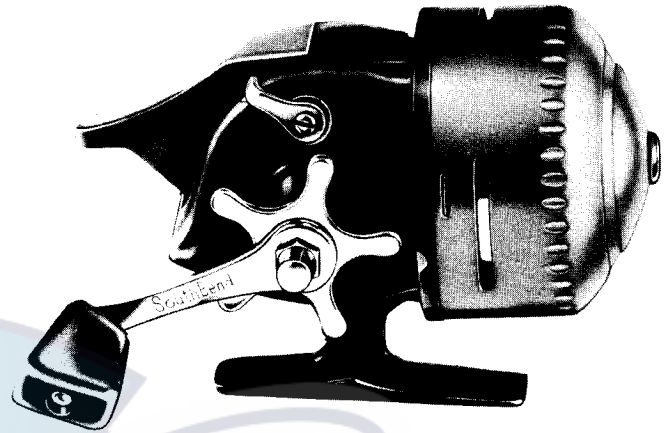


GLADDING
South Bend Tackle Co., Inc.
 Division of **GLADDING** Corporation

85

3-100-085

SPIN CAST REEL



Detail No.	Part Name	Part No.	Price	Detail No.	Part Name	Part No.	Price
1	Cone	PB47	2.10	19	Main Shaft	PB76	.60
2	Pick-up Housing Nut	PB49	.25	20	Pinion Washer	PB77	.10
3	Lock Washer	PB51	.10	21	Pinion	PB79	.25
4	Pick-up Housing	PB53	1.50	22	Main Shaft Spring	PB81	.15
5	Pick-up Washer	PB54	.10	23	Retaining Clip Washer	PB82	.10
7	Spool Assembly	PB57	2.50	24	Retaining Clip	PB84	.10
9	Crank Nut	PB61	.35	25	Thumb Lever Assembly	PB86	.90
11	Crank Assembly	PB64	1.15	26	Cover Plate	PB88	.45
12	Drag Star	PB66	.65	27	Cover Plate Screws	PB89	2x.15
13	Tension Washer	PB68	.20	31	Gear Stem	PB94	.60
14	Gear Stem Bearing	PB70	.50	32	Friction Washer	PB96	.10
15	Lever Screw	PB71	.10	33	Drive Gear	PB98	.65
16	Non Reverse Lever	PB72	.25	34	Fiber Washer	PBA1	.10
17	Lever Tension Washer	PB73	.10	35	Non Reverse Ratchet	PBA3	.35
18	Non Reverse Cam	PB74	.25	37	Frame	PBA6	2.75